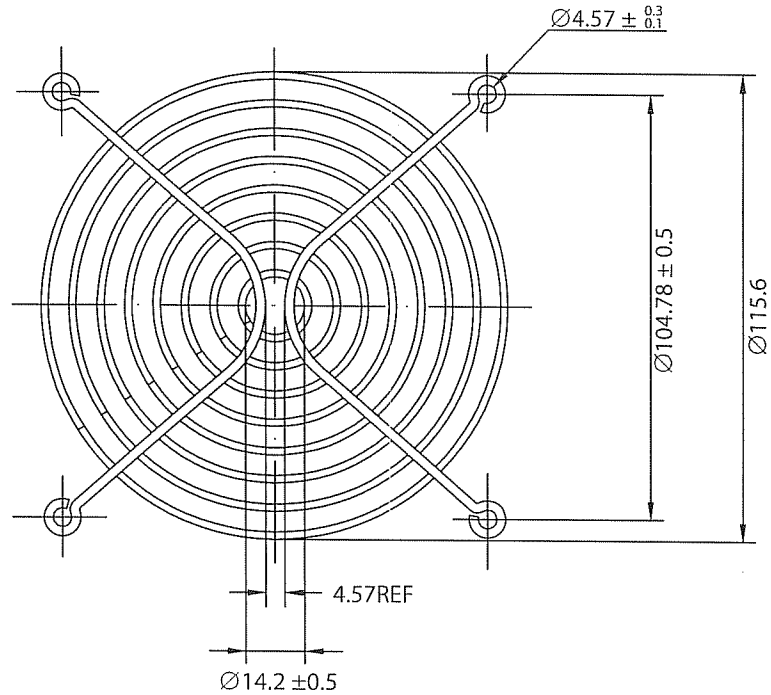


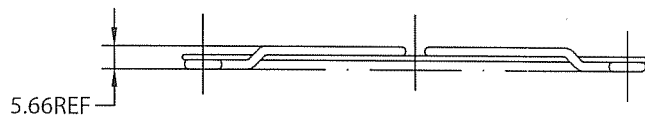
		Revision	
Rev.	Description	Date	Approved
A	RoHS Compliancy	06-01-06	

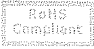


NOTES:

1. MATERIAL: C1008 BRIGHT BASIC WIRE
2. FINISH: BRIGHT NICKEL CHROME PLATING
3. 0.35 ± 0.05 DEPTH OF SERRATIONS ON WIRE
4. RING: $\varnothing 1.8 \pm 0.1$ mm
RIB: $\varnothing 1.8 \pm 0.1$ mm
5. GENERAL TOLERANCE UNLESS NOTED IS ± 0.5 mm
6. RoHS COMPLIANT

THIS DRAWING IS THE PROPERTY OF "QUALTEK ELECTRONICS" AND NOT TO BE REPRODUCED FOR OR COMMUNICATED TO A THIRD PARTY WITHOUT THE EXPRESS WRITTEN PERMISSION OF AN OFFICER OF QUALTEK ELECTRONICS."



Dim range (mm)	Tolerance +/- (mm)	Qualtek Electronics Corp. FAN-S DIVISION		
		Part Number:	UNIT: mm	REV: A
0-1	0.15	08170 	Description: WIRE FORM FAN GUARD (120mm)	
1-6	0.20			
6-18	0.30	Drawn / Date	Checked / Date	Approved / Date
18-50	0.50			
50-120	0.70	B. Grubb 03-14-05	03-14-05	JJH / 03-14-05
120-250	0.90			
250-500	1.20			